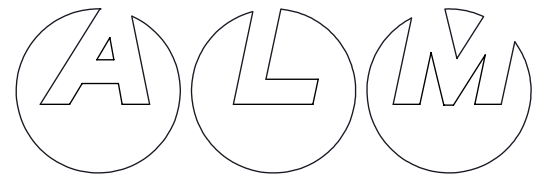


# Aline 70

PENDANT

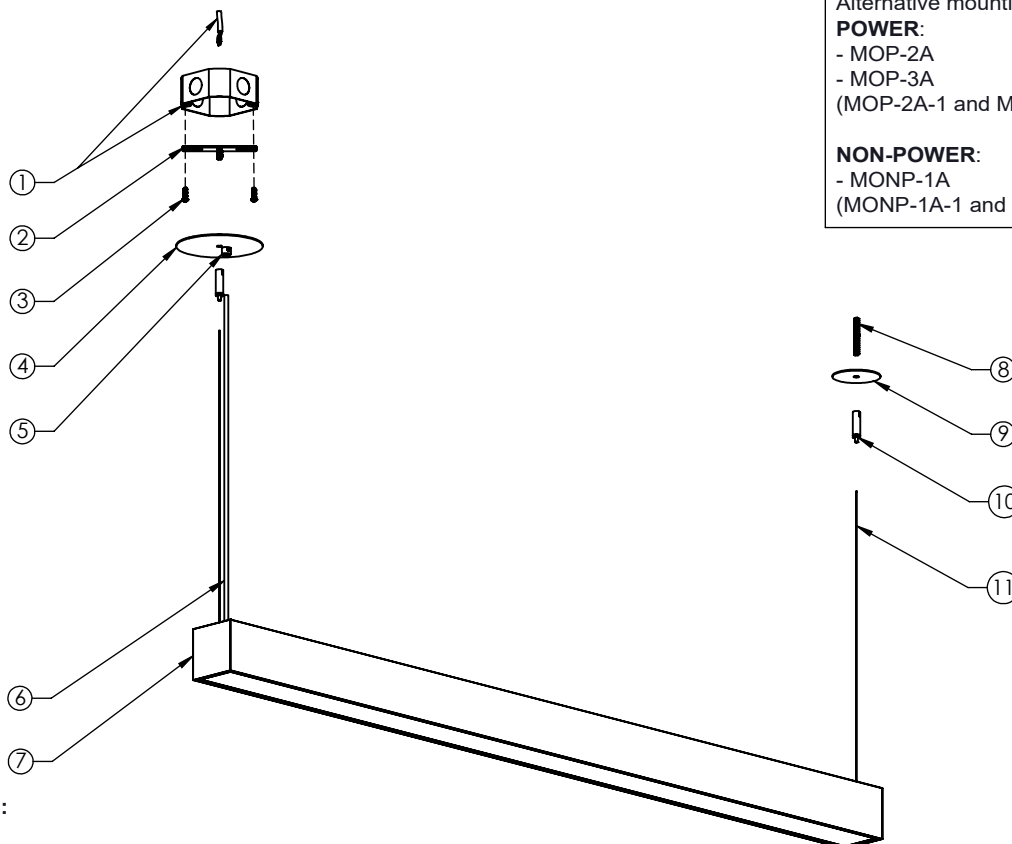
## INSTALLATION INSTRUCTIONS



1	4" Octagon box and power feed (by others)
2	Crossbar
3	Mounting screws to octagon box 8-32 x 3/4" long, round head (by others)
4	4.5" [114mm] dia. ceiling plate
5	Power cord gripper
6	Flexible power cord
7	Fixture assembly
8	Threaded rod (by others)
9	2.5" [64mm] dia. ceiling plate
10	Adjustable cable gripper (x2)
11	Stainless steel aircraft cable (x2)

**NOTE:**  
 - 1/4-20 threaded rod (US market)  
 - M6 threaded rod (EU market)  
 Supplied and installed by others.  
 The rod should be installed so it is sticking out 0.3"(8mm) below the surface of the ceiling.

**NOTE:**  
 If octagon box is not available, please check "Aline 70 Pendant Specification Sheet" and order alternative mounting option separately.  
 Alternative mounting options available:  
**POWER:**  
 - MOP-2A  
 - MOP-3A  
 (MOP-2A-1 and MOP-2A-2 included)  
**NON-POWER:**  
 - MONP-1A  
 (MONP-1A-1 and MONP-1A-2 included)



### INSTRUCTIONS:

- Secure mounting crossbar to the standard 4" octagon box (screws by others).  
If octagon box is not available, see note above.
- Bring the power cord through the power cord gripper mounted on the 4.5" ceiling plate and secure with set screw provided.
- Splice the fixture power wires and power feed as required and secure the 4.5" ceiling plate to the mounting crossbar with the adjustable cable gripper.  
Wires for connection are clearly labeled.
- Secure the 2.5" ceiling plate to the threaded rod with the adjustable cable gripper. The threaded rod should be installed per mounting point location noted on the cut sheet.  
If mounting option with threaded rod is not possible, see note above.
- Bring the aircraft cables through the adjustable cable grippers mounted on the ceiling.
- Adjust height with adjustable aircraft cable grippers. Level the fixture and cut off excess cable.
- Energize.

### GENERAL NOTE:

- \* Turn power off before beginning.
- \* Do not connect to an ungrounded supply.
- \* Consult a qualified electrician to ensure correct branch circuit conductor.
- \* This product must be installed in accordance with the applicable installation code by a person familiar with the construction and operation of the product and the hazards involved.
- \* Save these instructions.